

Ref : JAI / GC / 2017

Date : 18.08.2021



Dear Sir,

At the outset, we thank you all for patronizing our products. As you are aware, our **JAIBALAJI** products are the **ONLY PRODUCTS** available in India with  & **CE** Markings and **IP-67** Protection. We are also an **ISO 9001 : 2015** Certified company offering **QUALITY PLUS** Products at **MOST COMPETITIVE PRICE**. **JAIBALAJI** Products are manufactured making use of **UL Listed V2 Flame Retardant Grade 960°** Glow Wire Tested Anti corrosive Anti-Acid unbreakable **Engineering Plastic** and are fully insulated. Our wide range of products are **Illuminated Push Buttons, Pilot lights, Push Button Stations (Plastic & Metal) LED Electronic Module Indicating lights (16.5 mm & 22.5 mm dia) Electronic signal Tower lights (LED & BULB) Electronic Proximity Sensors (Photo Sensors, Diffuse, Thro' Beam, Colour mark, Inductive & Capacitive) Electronic Timer Din Rail (Analog & Digital) Electronic Digital Counter / Timer, Digital Meters AC / DC Voltmeter, Ammeter, Digital Panel Meters, Frequency Meters, Variety of Limit Switches, like BC-9, BC-9T, JW Micro Adjustable, CEE EM 45, Precision, Miniature Snap Action, Mini Limit Switches, Heavy Duty Limit Switches JB - 2700, Extra Heavy Duty JC-1125 Limit Switches, Explosion Proof EPHA Limit Switches, Foot Switches, Engineering Plastic Industrial Plug & Sockets, and Connectors Cam Operated Rotary Switches, variety of different sizes of Junction Boxes (Engineering Plastic & Metal ) and Telescopic Brushes, Pullcord, Beltsway, Zero speed switch & Rocker switch. Distribution Boxes, Pendent Pushbutton stations, CEE EM 45 Mini Limit Switch, Bus bar Indicator & Reed Magnetic Switch**

## DEALERS ENQUIRIES ARE SOLICITED

This supersedes all previous Price Lists, Prices are subject to change without prior notice, Prices at the time of supply will be applicable.

Your continued patronage and kind co-operation will be very much appreciated.

Thanking you and assuring you of our best services always.

Yours faithfully,

for 



CHANAKYA CHANDRAMOHAN

Encl : as above.

New No. 107, Sidco Industrial Estate

Post Box No. 27, Ambattur,

Chennai - 600 098. India

Phone : 0091 - 44 - 2625 1279

0091 - 44 - 2625 4469

0091 - 44 - 2625 4470

0091 - 44 - 2625 7174

0091 - 44 - 2625 7859

Fax : 0091 - 44 - 2625 5038

E-mail : [dchandramohan@jaibalaji.firm.in](mailto:dchandramohan@jaibalaji.firm.in)

WEBSITE : [www.jaibalaji.firm.in](http://www.jaibalaji.firm.in)



## CATALOGUE CUM PRICE LIST

**JAIBALAJI** Precision Limit Switches are designed for industrial duty applications. They are small in size, reliable in operation, have exceptionally long life and are accurate. The wide variety of switch operating mechanisms coupled with the choice of either single pole 1NO+1NC or double pole 2NO+2NC changeover contacts permit easy selection and application for many needs.

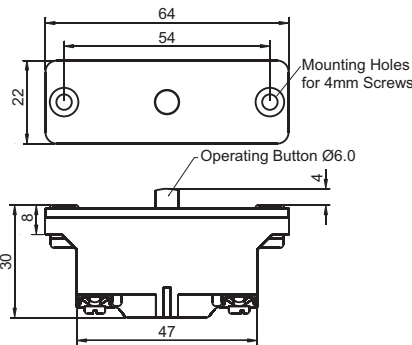
### Electrical and Mechanical Rating

Utilisation Category : AC 15 and DC 13 as per IEC 947-5-1 and IS/IEC :60947/Pt5/Sec-1  
 Thermal current (I<sub>th</sub>) : 15A  
 Insulation Voltage (UI) : 600 V AC

Contact Combination  
 Frequency of operation  
 Mechanical and Electrical life  
 Operating force  
 Terminal capacity

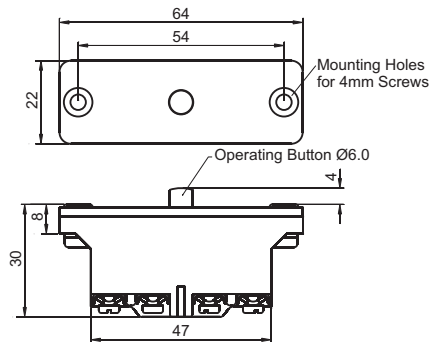
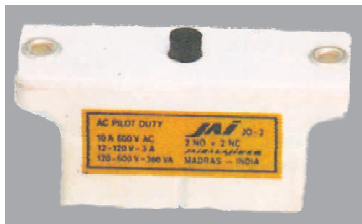
Single pole 1 NO + 1 NC changeover contacts  
 Double pole 2 NO + 2 NC changeover contacts  
 2500 operations per hour (max)  
 20x10<sup>6</sup> operations without operator  
 10x10<sup>6</sup> operations with operator  
 3.50 Kg  
 2.5mm<sup>2</sup> solid or stranded conductors

#### Precision Basic Limit Switch 1 NO + 1 NC Contacts



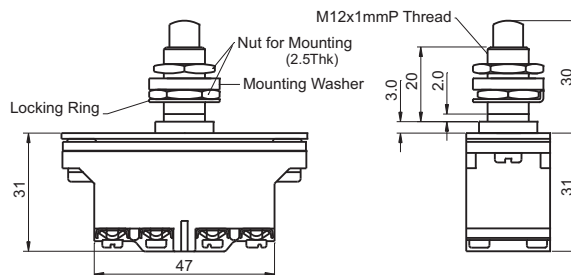
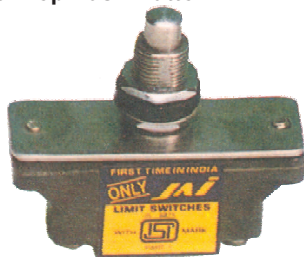
Model	Contacts	M.R.P.Rs
JO1	1NO+1NC	396

#### Precision Basic Limit Switch 2 NO + 2 NC Contacts



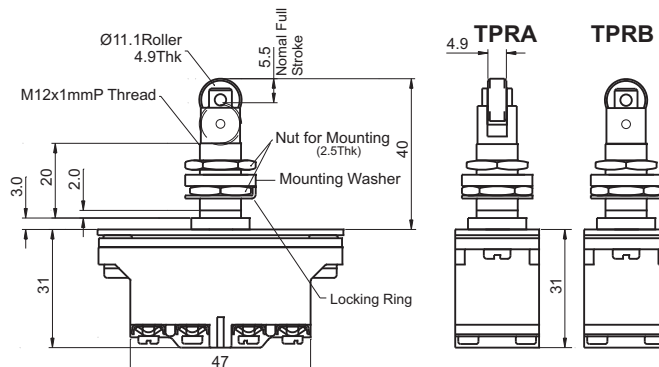
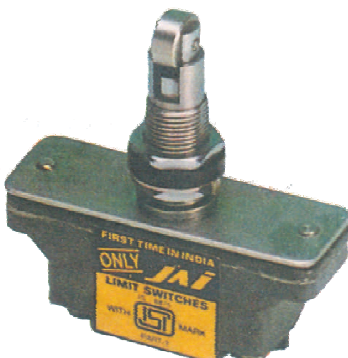
Model	Contacts	M.R.P.Rs
JO2	2NO+2NC	522

#### Precision Limit Switch with Top Push Button



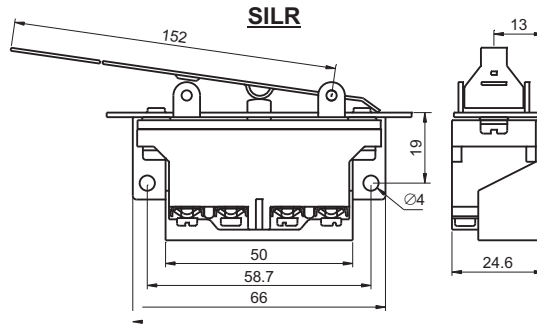
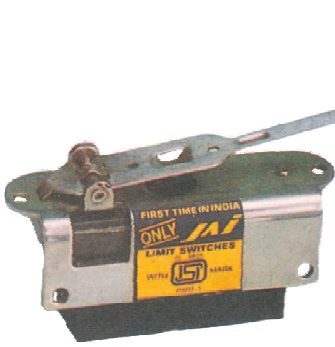
Model	Contacts	M.R.P.Rs
JO1TPB	1NO+1NC	522
JO2TPB	2NO+2NC	648

#### Precision Limit Switch with Top Push Roller

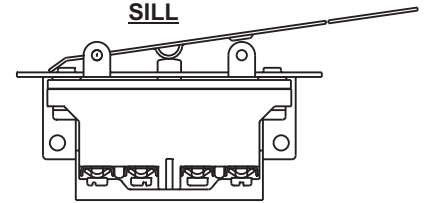


Model	Contacts	M.R.P.Rs
JO1TPRA	1NO+1NC	522
JO2TPRA	2NO+2NC	648
JO1TPRB	1NO+1NC	522
JO2TPRB	2NO+2NC	648

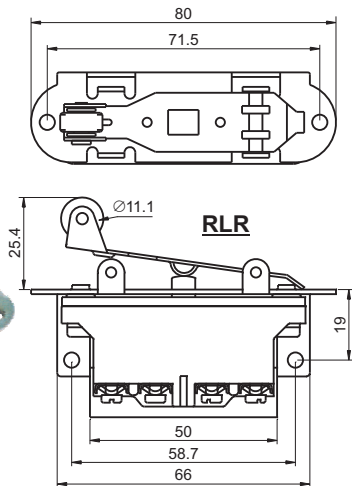
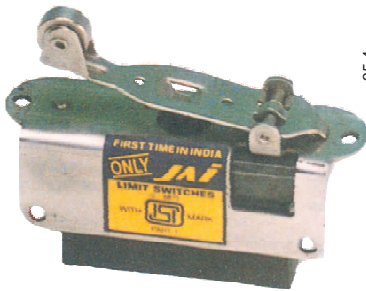
**Precision Limit Switch  
with 6 inch(150mm) long Lever**



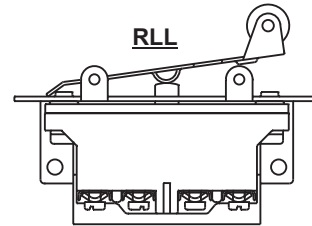
Model	Contacts	M.R.P.Rs
JO1SILR	1NO+1NC	522
JO2SILR	2NO+2NC	648
JO1SILL	1NO+1NC	522
JO2SILL	2NO+2NC	648



**Precision Limit Switch  
with Roller Lever**



Model	Contacts	M.R.P.Rs
JO1RLR	1NO+1NC	522
JO2RLR	2NO+2NC	648
JO1RLL	1NO+1NC	522
JO2RLL	2NO+2NC	648



**With 10mm Roller**

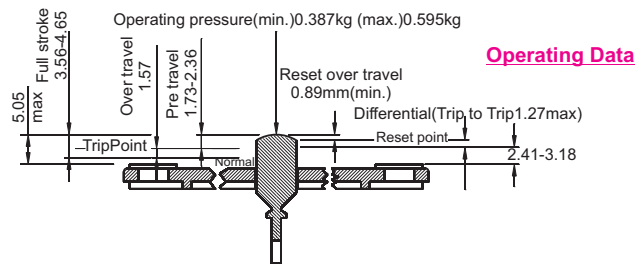
Model	Contacts	M.R.P.Rs
JO1RLR	1NO+1NC	549
JO2RLR	2NO+2NC	675
JO1RLL	1NO+1NC	549
JO2RLL	2NO+2NC	675

**Also Available  
Precision Limit Switch Lever Type with 10mm Roller**

The Above Types of Switches are also available with **Gold Plated Contacts** (At extra cost)

**Operational current and voltage**

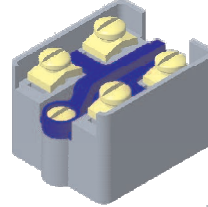
AC 15 rating	Single pole (1 NO + 1 NC changeover contacts)		Double pole (2 NO + 2 NC changeover contacts)	
	110V	240V	440V	600V
	4.0A	2.0A	1.0A	0.8A
	3.0A	1.5A	0.8A	0.6A
DC 13 rating	Single throw	Double throw	Single throw	Double throw
	115V	230V	600V	
	2.0A	0.5A	1.0A	0.2A
	0.5A	0.2A	0.3A	0.1A
	0.1A	0.02A	0.1A	



Post Box No. 27, 89 (New No. 107),SIDCO Industrial Estate,Ambattur, Chennai -600 098. India  
Phone: +91 44 26251279 / 26257859 / 26254470 Fax: +91 44 26255038.  
E-mail: dchandramohan@jaibalaji.firm.in Web: jaibalaji.in

## BC-9 MINI LIMIT SWITCHES

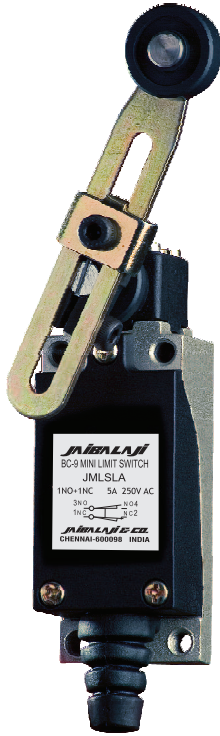
### CATALOGUE AND PRICE LIST



**BASIC SWITCH**  
**BC9M 'E'**  
MRP. Rs.297



**JMLS JWA**  
M.R.P. Rs.585



**JMLS LA**  
M.R.P. Rs.585



**JMLS TAR**  
M.R.P. Rs.585



**JMLS TNR**  
M.R.P. Rs.585



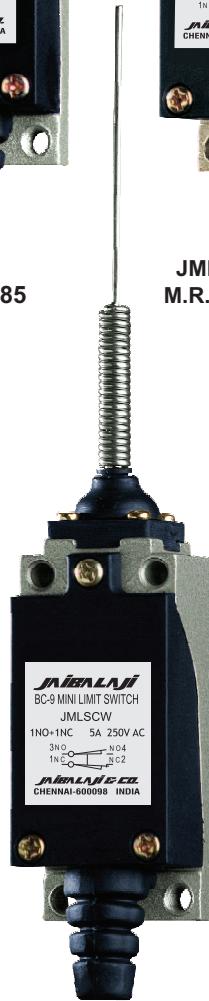
**JMLS TPB**  
M.R.P. Rs.585



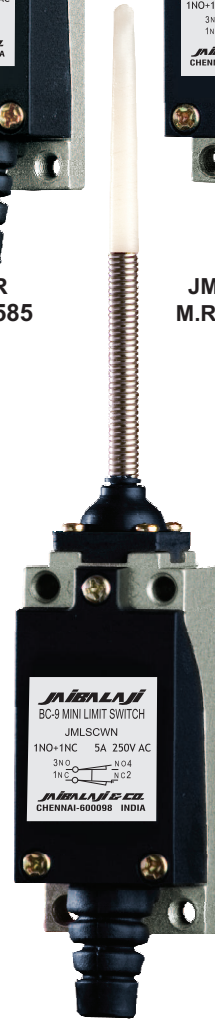
**JMLS L-1**  
M.R.P. Rs.585



**JMLS TPR**  
M.R.P. Rs.585



**JMLS CW**  
M.R.P. Rs.585



**JMLS CWN**  
M.R.P. Rs.585


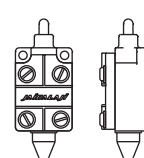





Flexibility of replacing complete contact block without changing the operating characteristic

The twin break silver contacts provide quick make and break action with high contact pressure

Completely protected against cutting lubricant and fine dust penetration by using special 'O' rings and gaskets

Available in 2NO + 2NC configuration in the same as 1NO + 1NC version, thus reducing additional limit switches and control relays

## SELECTION TABLE

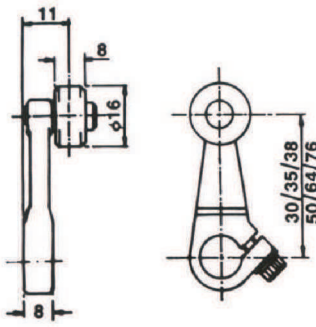
Execution	Design	Contacts		Type	MRP Rs.		Enclosure according to IS/IEC: 60947
		Arrangement	No. of contacts		1NO+1NC	2NO+2NC	
 open 	With Push-rod	Normal		45-9 E	198		IP 00
		Snap Action	1NO + 1NC	45-18 E	225		
		Extended Stroke	1NO + 1NC	45-27E	198		
		Overlapping	1NO + 1NC	45-36E	225		
	With Push-rod and plastic protective cover	Normal	1NO + 1NC	45-9 PCE	225		IP 40
		Snap Action	1NO + 1NC	45-18PCE	243		
		Extended Stroke	1NO + 1NC	45-27PCE	225		
		Overlapping	1NO + 1NC	45-36PCE	243		
  	With Push-rod	Normal	1NO + 1NC	45-9	576		IP 67
		Snap Action	1NO + 1NC	45-18	603	1485	
		Extended Stroke	1NO + 1NC	45-27	576		
		Overlapping	1NO + 1NC	45-36	603		
	With Normal Roller Lever	Normal	1NO + 1NC	45-45	576		IP 67
		Snap Action	1NO + 1NC	45-54	603	1485	
		Extended Stroke	1NO + 1NC	45-63	576		
		Overlapping	1NO + 1NC	45-72	603		
	With Angular Roller Lever	Normal	1NO + 1NC	45-81	576		IP 67
		Snap Action	1NO + 1NC	45-90	603	1485	
		Extended Stroke	1NO + 1NC	45-99	576		
		Overlapping	1NO + 1NC	45-09	603		
	With Roller Lever	Snap Action	1NO + 1NC	45-54 LA	1233	2151	IP 67
		Snap Action	1NO + 1NC	45-54 L1	1233	2151	
	With Angular/Normal Roller Lever	Normal	1NO + 1NC	45-45PGS A/N	576		
		Snap Action	1NO + 1NC	45-54PGS A/N	603	1485	

The Above Types of Switches are also available with **Gold Plated Contacts** (At extra cost)

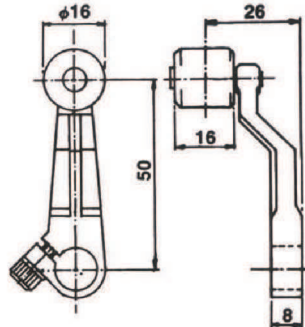
The Above Types of Switches are also available for **High Temperature (150°C)** (At extra cost)

and with **LED Indicator** (At extra cost)

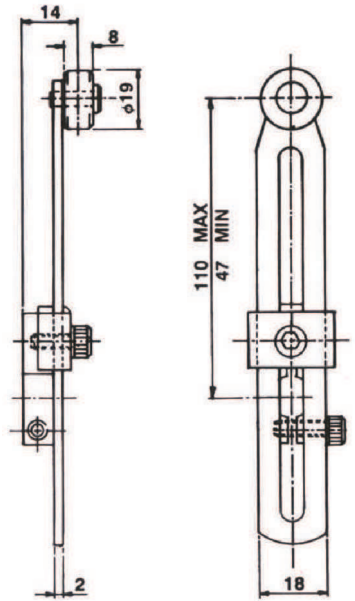
(Dimensions in mm)



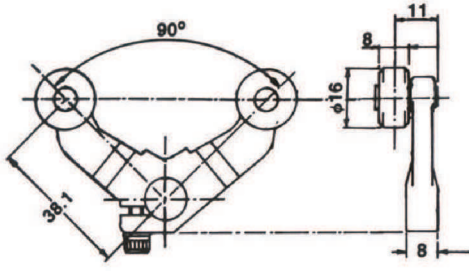
ROLLER LEVER



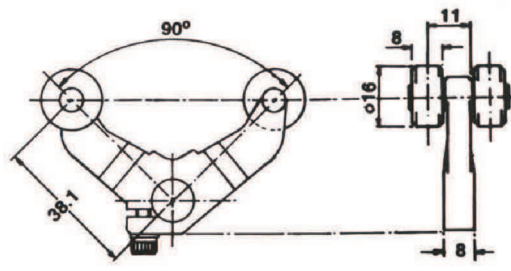
OFFSET LEVER



ADJUSTABLE LEVER



FORK TYPE INLINE ROLLERS



FORK TYPE OFF SET ROLLERS

S.No.	Type	Contacts	Ordering Code	MRP Rs.
1	JW 12 Without lever	1 NO + 1 NC	JW 12	1314
2	JW 12 With 35 mm long lever	1 NO + 1 NC	JW 12	1458
3	JW 12 With 38 mm long lever	1 NO + 1 NC	JW 12	1485
4	JW 12 With 50 mm long lever	1 NO + 1 NC	JW 12	1512
5	JW 12 With 64 mm long lever	1 NO + 1 NC	JW 12	1530
6	JW 12 With 76.2 mm long lever	1 NO + 1 NC	JW 12	1575
7	JW 12 With Adjustable lever	1 NO + 1 NC	JW 12	1593
8	JW 12 With 2" Offset lever	1 NO + 1 NC	JW 12	1620
9	JW 18 Without lever	2 NO + 2 NC	JW 18	1557
10	JW 18 With 35 mm long lever	2 NO + 2 NC	JW 18	1719
11	JW 18 With 38 mm long lever	2 NO + 2 NC	JW 18	1737
12	JW 18 With 50 mm long lever	2 NO + 2 NC	JW 18	1773
13	JW 18 With 64 mm long lever	2 NO + 2 NC	JW 18	1791
14	JW 18 With 76.2 mm long lever	2 NO + 2 NC	JW 18	1836
15	JW 18 With Adjustable lever	2 NO + 2 NC	JW 18	1854
16	JW 18 With 2" Offset lever	2 NO + 2 NC	JW 18	1881
17	Push Rod Button	1 NO + 1 NC	JW 22	1251
18	Push Rod Button	2 NO + 2 NC	JW 28	1512
19	Micro Adjustable Roller Plunger	1 NO + 1 NC	JW 32	1386
20	Micro Adjustable Roller Plunger	2 NO + 2 NC	JW 38	1647
21	Micro Adjustable Push Rod Plunger	1 NO + 1 NC	JW 42	1359
22	Micro Adjustable Push Rod Plunger	2 NO + 2 NC	JW 48	1620

The Above Types of Switches are also available with Gold Plated Contacts (At extra cost)

The Above Types of Switches are also available for High Temperature (150°C) (At extra cost) and with LED Indicator (At extra cost)

**JAIBALAJI**  
CONTROL GEARS PVT. LTD

Post Box No. 27, 89 (New No. 107),SIDCO Industrial Estate,Ambattur, Chennai -600 098. India

Phone: +91 44 26251279 / 26257859 / 26254470 Fax: +91 44 26255038.

E-mail: dchandramohan@jaibalaji.firm.in Web: jaibalaji.in

## PRICE LIST

Description	Type	Ordering Code	1 NO + 1 NC MRP Rs.	2 NO + 2 NC MRP Rs.
Roller Lever	38mm length	JLSL 1	1350	2160
	76mm length	JLSL 2	1350	2160
	50mm length	JLSL 3	1350	2160
	64mm length	JLSL 4	1350	2160
	50mm Offset	JLSL 0	1404	2322
Adjustable Roller Lever	32 to 82.5mm	JLSL A	1350	2160
Fork Lever	Roller in line	JLSF	1458	2376
	with offset roller	JLSFLO	1494	2412
Top Push	Roller type	JLSTPR	1350	2160
	Button type	JLSTPBA	1350	2160
Side Push	Roller type	JLSSPR	1458	2376
	Button type	JLSSPBA	1458	2376
Cat Whisker	Nylon rod	JLSCW	1350	2160
	Steel rod	JLSJW	1350	2160
Pull cord	Pull cord	JLSPC	2160	3078
Belt sway	Belt sway	JLSBS	2160	3078
Top push Normal Roller	Top push Normal Roller	JLSTNR	1350	2160
General Purpose	Angular Roller Lever	JLSGS	1134	2052
	Ang Metal Roller Lever	JLSGS	1197	2115

### Ordering Code for **Maintained Contact Models**

Description	Type	Ordering Code	1 NO + 1 NC MRP Rs.	2 NO + 2 NC MRP Rs.
Roller Lever	38mm length	JLSL-1(M)	1512	2430
	76mm length	JLSL-2(M)	1512	2430
	50mm length	JLSL-O(M)	1575	2493
Adjustable Roller Lever	32 to 82.5mm	JLSLA(M)	1512	2430
Fork Lever	Roller in line	JLSLF(M)	1674	2592
	with offset roller	JLSLFLO(M)	1674	2592
Cat Whisker	Steel rod	JLSJW(M)	1512	2430

The Above Types of Switches are also available with **Gold Plated Contacts** (At extra cost)

The Above Types of Switches are also available for **High Temperature (150°C)** (At extra cost)

and with **LED Indicator** (At extra cost)

### Accessory:

Oil tight conduit entry to the limit switch for 3/4" dia 16 TPI BS threads BCCE.

**JALIBALJI BC9 OIL TIGHT LIMIT SWITCHES**

PRICE LIST

Description	Type	Ordering Code	1 NO + 1 NC MRP Rs.
Roller Lever	38mm length	<b>BC9 T JLSL - 1</b>	<b>1233</b>
	76mm length	<b>BC9 T JLSL - 2</b>	<b>1233</b>
	50mm length	<b>BC9 T JLSL - 3</b>	<b>1233</b>
	64mm length	<b>BC9 T JLSL - 4</b>	<b>1233</b>
	50mm Offset	<b>BC9 T JLSL - O</b>	<b>1278</b>
Adjustable Lever	32 to 82.5 mm	<b>BC9 T JLSL - A</b>	<b>1233</b>
Fork Lever	Roller inline	<b>BC9 T JLSF</b>	<b>1404</b>
	with Offset roller	<b>BC9 T JLSFLO</b>	<b>1458</b>
Top Push	Roller Type	<b>BC9 T JLSTPR</b>	<b>1233</b>
	Button Type	<b>BC9 T JLSTPB</b>	<b>1233</b>
	Button Adjustable	<b>BC9 T JLSTPBA</b>	<b>1233</b>
Side Push	Roller Type	<b>BC9 T JLSSPR</b>	<b>1332</b>
	Button Adjustable	<b>BC9 T JLSSPBA</b>	<b>1332</b>
Cat Whisker	Nylon Rod	<b>BC9 T JLSNCW</b>	<b>1233</b>
	SS Spring	<b>BC9 T JLSSCW</b>	<b>1260</b>
Side operating	Steel rod	<b>BC9 T JLSJW</b>	<b>1233</b>
	Steel rod Adjustable	<b>BC9 T JLSJWA</b>	<b>1233</b>
	Steel rod 'U' Type	<b>BC9 T JLSUW</b>	<b>1233</b>

The Above Types of Switches are also available with **Gold Plated Contacts** (At extra cost)

The Above Types of Switches are also available with **LED Indicator** (At extra cost)

Ordering code for **Maintained contact models**

Description	Type	Ordering Code	1 NO + 1 NC MRP Rs.
Roller Lever	38mm length	<b>BC9 T JLSL - 1(M)</b>	<b>1377</b>
	76mm length	<b>BC9 T JLSL - 2(M)</b>	<b>1377</b>
Adjustable Lever	32 to 82.5 mm	<b>BC9 T JLSL - A(M)</b>	<b>1377</b>
Fork Lever	Roller inline	<b>BC9 T JLSLF(M)</b>	<b>1548</b>
	with Offset roller	<b>BC9 T JLSFLO(M)</b>	<b>1602</b>
Side operating	Steel rod	<b>BC9 T JLSJW(M)</b>	<b>1377</b>
	Steel rod 'U' Type	<b>BC9 T JLSUW(M)</b>	<b>1377</b>

**JALIBALAJI BC9 'T' OIL TIGHT LIMIT SWITCHES**



## GENERAL INFORMATION

JAIEPHA switches feature the smallest housing available in India for use in hazardous locations. Flame paths within the housing cool exploding gases below the kindling temperature before they reach to explosive gases surrounding the housing.

## SEALS

Application proven heavy duty limit switch head seals are retained to seal the top of the JAIEPHA. The circular cover on the front is easily unscrewed to expose the switching elements for wiring or replacement. A screw driver or bar used on the wrenching lugs extending from the front of the cover allows easy removal or tightening. An 'O' ring seal is located between the housing and cover, flame paths are provided by the cover housing threads and an extended plunger between the switch cavity and head.

## INTERCHANGEABILITY

JAIEPHA Flameproof limit switches are interchangeable with any standard heavy duty limit switch with a adapter plate. JAIEPHA has a recessed back into which the adapter plate fits and mounts using two screws.

## JAIEPHA MODELS

JAIEPHA type limit switches are available with a variety of operating heads to meet diverse applications.

## PRICE LIST

DESCRIPTION	TYPE	ORDERING CODE	GROUP IIA & IIB		GROUP IIA,IIB & IIC	
			1NO+1NC	2NO+2NC	1NO+1NC	2NO+2NC
			MRP Rs.	MRP Rs.	MRP Rs.	MRP Rs.
Roller Lever	38 mm length	EPHA - 1*	3987	5139	6291	7029
	76 mm length	EPHA - 2*	3987	5139	6291	7029
	50 mm length	EPHA - 3*	3987	5139	6291	7029
	64 mm length	EPHA - 4*	3987	5139	6291	7029
	50 mm (Offset)	EPHA - O*	3987	5139	6291	7029
Adjustable Roller Lever	47 to 75 mm	EPHA - A*	3987	5139	6291	7029
Antenna Type Lever	134 mm length	EPHA - JW*	3987	5139	6291	7029
Fork Lever	Roller in line	EPHA - F*	3987	5139	6291	7029
	With Offset Roller	EPHA - FO*	3987	5139	6291	7029
Top Push	Roller type	EPHA - TPR	3987	5139	6291	7029
	Button type	EPHA - TPBA	3987	5139	6291	7029
Side Push	Roller type	EPHA - SPR	3987	5139	6291	7029
	Button type	EPHA - SPBA	3987	5139	6291	7029
*Maintained Contact for Lever Type Only (Add M as suffix to code while ordering)			4176	5301	6480	7218

## ROTARY LEVER OPERATING HEADS

They are available in spring return and maintained type. The rotary shaft can be readily changed to operate clockwise, counter clockwise or both. The operating levers may be rotated and locked in any position through 360°. The operating head can be positioned in any of the four sides. The lever rollers are 19mm diameter and 8mm width. The levers are available in fixed and adjustable lengths.

## FORK LEVER OPERATING HEADS

Each of the two arms of the length 38mm has a roller either inline or offset. Available in spring return or maintained type.

## TOP PUSH OPERATING HEADS

They are available in two designs. One has an adjustable push button, the length of which can be adjusted up to 8 mm. (Adjustment is accomplished by turning the threaded hexagon head of operating plunger and securing it with a lock nut). The second type has a roller 11.1 mm dia. The top push roller is easier to apply because the direction of operating and repeat accuracy is less critical.

## SIDE PUSH OPERATING HEADS

These heads are also available with an adjustable push button alternatively a roller of 11.1 mm dia. These are designed for small space and lower travel application where the actuator travel is perpendicular to the switch.

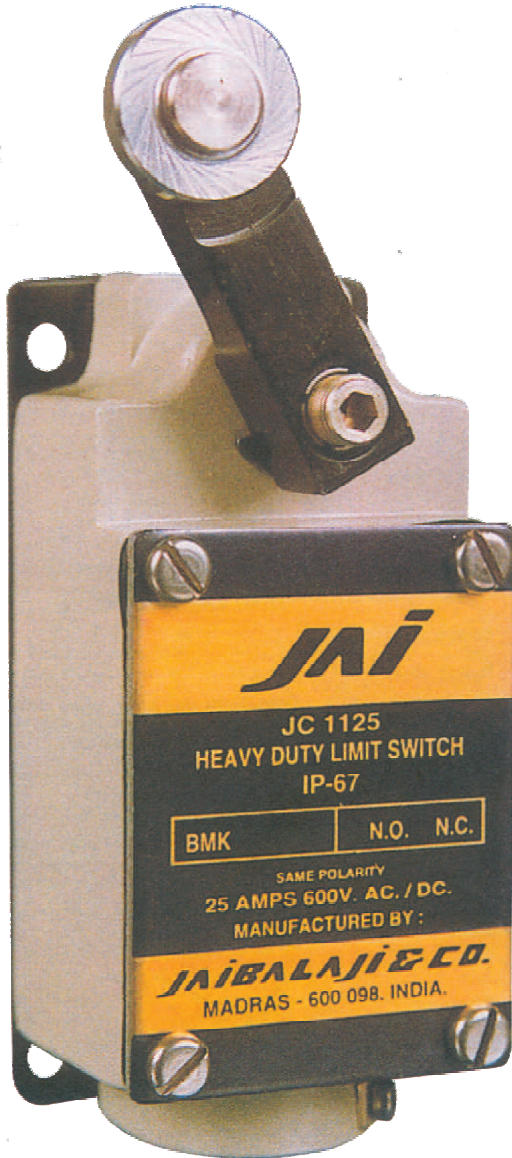
## CABLE ENTRY

Cable entry available either in 1/2" NPT or 3/4" NPT or 1/2"BSPT

# JAIBALAJI

LIMIT SWITCHES WITH   MARKS

CATALOGUE CUM PRICE LIST



## JC - 1125 HEAVY DUTY LIMIT SWITCHES

CONFORMS TO IS/IEC:60947 Pt.5 Sec 1

- **TWENTY-FIVE CIRCUIT OPTIONS**
- **25 A 600 V A.C. OR D.C.**
- **70° OVERTRAVEL IN BOTH DIRECTIONS**
- **IP 67 PROTECTION**
- **OPERATES UP TO 107° C**
- **IDEAL FOR APPLICATION REQUIRING EXTRA HEAVY INDUSTRIAL DUTY CONTACT RATINGS**
- **HIGHER OPERATING AND RESET FORCES**
- **RUGGED MECHANICAL CONSTRUCTION**
- **WILL WITHSTAND HOT FALLING SAND UPTO 300° F**
- **FOR ROUGH FOUNDRY APPLICATIONS AND HEAVY MACHINE TOOL, CONVEYOR, MILLS, FOUNDRIES, HEAVY BOILERS.**
- **ACTUATION MODE CONVERSION FACILITY FOR LEFT-HEND, RIGHT-HAND OR MAINTAINED CONTACT ACTION. PLUS A COMPREHENSIVE SELECTION OF OPERATING LEVERS.**

**HEAVY DUTY CRANE  
LIMIT SWITCH**

Contacts - 2NC

**MRP. Rs. 3951**

Model JC-1125 Heavy Industrial duty Limit switch **providing twenty five switching arrangements** from eleven standard types. Actuation mode conversion facility for left-hand, right-hand or maintained contact action. **Rating up to 25A lth 600V AC or DC** plus a comprehensive selection of operating levers.

Eleven standard switch types can be converted on site to provide for a total of twentyfive contact or circuit arrangements (as shown below).

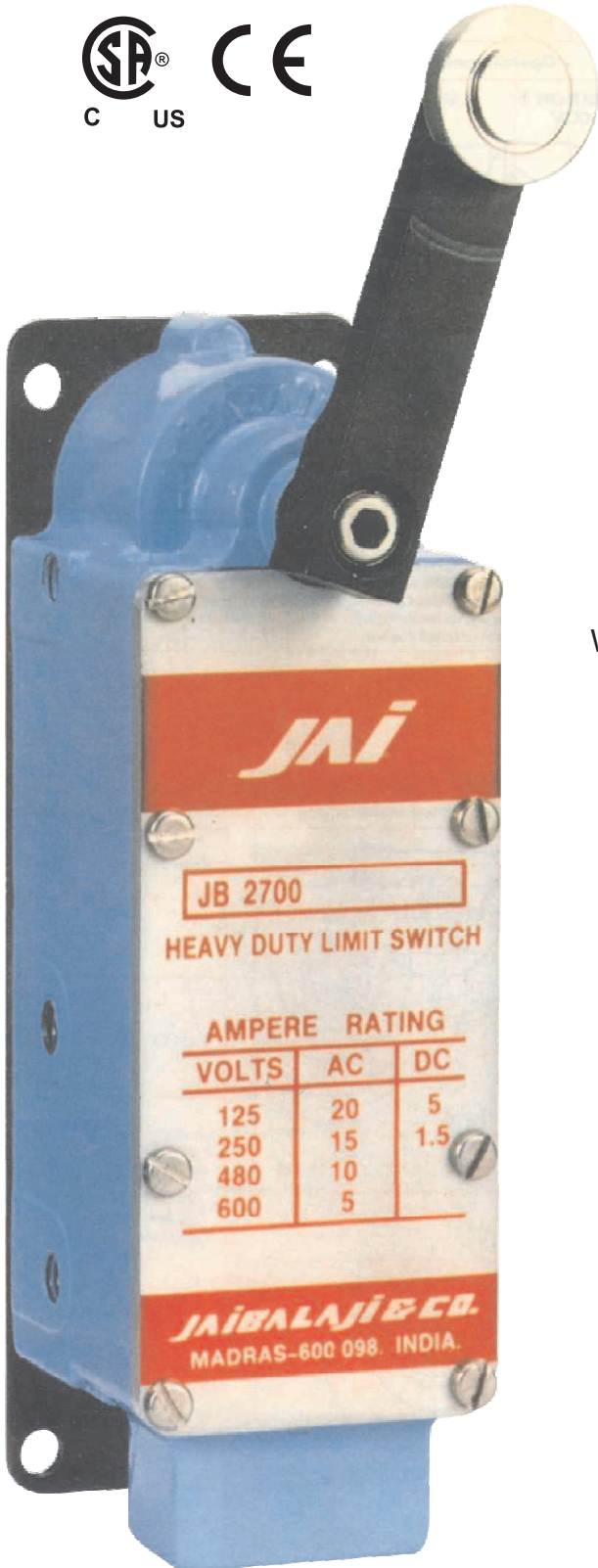
Ordering reference model	contact arrangement (arrow indicated direction of lever movement)	Standard model conversion required	Operating data (refer to table, above)	Switch description (viewed from the front of switch).	MRP Rs
JC - 1125 BMK 9	(A)	As supplied	Data A	Snap action, Spring return Contacts: 1 n.c., 1 n.o. CW operation to 1 n.o. 1 n.c.	4536
	(B)	Revers return spring	Data A	Snap action, Spring return Contacts: 1 n.o., 1 n.c. CCW operation to 1 n.c. 1 n.o.	4536
	(C)	Remove return spring	Data A and Note 2 above	Stay-put action Contacts: CCW position 1 n.c. 1 n.o. or CW operation to 1 n.o. 1 n.c.	4536
JC - 1125 BMK 18	(A)	As supplied	Data A	Snap action, Spring return Contacts: 2 n.o. CW operation to 2 n.c.	4824
	(B)	Revers return spring	Data A	Snap action, Spring return Contacts: 2 n.c. CCW operation to 2 n.o.	4824
	(C)	Remove return spring	Data A and Note 2 above	Stay-put action Contacts: CCW position 2 n.o. or CW operation to 2 n.c.	4824
JC 1125 BMK 27	(A)	As supplied	Data A	Snap action, Spring return Contacts 2 n.o. CCW operation to 2 n.c.	5013
	(B)	Revers return spring	Data A	Snap action, Spring return Contacts 2 n.c. CW operation to 2 n.o.	5013
	(C)	Remove return spring	Data A and Note 2 above	Stay-put action Contacts: CCW position 2 n.c. or CW position 2 n.o.	5013
JC - 1125 BMK 36	(A)	As supplied	Data A	Snap action, Spring return Contacts 1 n.c. and 2 n.o. CW operation to 1 n.o., 2 n.c.	4914
	(B)	Revers return spring	Data A	Snap action, Spring return Contacts 2 n.c. and 1 n.o. CCW operation to 2 n.o., 1 n.c.	4914
	(C)	Remove return spring	Data A and Note 2 above	Stay-put action Contacts: CCW position 1 n.c. 2 n.o. CW operation to 1 n.o. 2 n.c.	4914
JC 1125 BMK 45	(A)	As supplied	Data A	Snap action, Spring return Contacts 2 n.o. and 1 n.c. CW operation to 2 n.c., 1 n.o.	5013
	(B)	Revers return spring	Data A	Snap action, Spring return Contacts 2 n.c. and 1 n.o. CCW operation to 2 n.o., 1 n.c.	5013
	(C)	Remove return spring	Data A and Note 2 above	Stay-put action Contacts: CCW position 2 n.c. 1 n.o. or CW position to 2 n.o., 1 n.c.	5013
JC 1125 BMK 54	(A)	As supplied	Data B and Note 2 above	Slow-make and break spring return Contacts : 2 n.o. CW operation to 1 n.o. 1 n.c. or CCW operation to 1 n.c., 1 n.c.	4824
	(B)	Add two jumper wires	Data B and Note 2 above	Slow-make and break spring return Contacts: 1 n.o. CW or CCW operation to 1 n.c.	4824
JC 1125 BMK 63	(A)	As supplied	Data B and Note 2 above	Slow-make and break spring return Contacts : 2 n.c. CW operation to 1 n.o. 1 n.c. or CCW operation to 1 n.c., n.o.	4824
	(B)	Add two jumper wires	Data B and Note 2 above	Slow-make and break spring return Contacts: 1 n.c. CW or CCW operation to 1 n.o.	4824
JC 1125 BMK 72	(A)	As supplied	Data C and Note 2 above	Snap-action spring return Contacts : 2 n.o. CW operation to 1 n.o. 1 n.c. or CCW operation to 1 n.c., 1 n.o.	5013
	(B)	Add two jumper wires	Data C and Note 2 above	Snap-action, spring return Contacts: 1 n.o. CW or CCW 1 n.c.	5013
JC 1125 BMK 81	(A)	As supplied	Data C and Note 2 above	Stay-put action Contacts : 2 n.o. CW operation to 1 n.o. 1 n.c. or CCW operation to 1 n.c., 1 n.o.	5013
	(B)	Add two jumper wires	Data C and Note 2 above	Stay-put action Contacts: 1 n.o. CW or CCW operation to 1 n.c.	5013
JC 1125 BMK 90	(A)	As supplied	Data B and Note 2 above	Slow-make and break, spring return Contact : 2 n.o. 1 n.c. CW operation to 1 n.o. 2 n.c. or CCW operation to 1 n.c., 2 n.o.	5013
JC 1125 BMK 99	(A)	As supplied	Data B and Note 2 above	Slow-make and break, spring return Contact : 1 n.c., 2 n.o. CW operation to 2 n.o. 1 n.c. or CCW operation to 2 n.c., 1 n.o.	5013

### How to order your limit switch

When ordering, quote the following :  
**Switch order reference. Lever reference.**  
**Back mounting plate style number.**

The Above Rates are with  
**Style 'A' Operating lever**

(Other than Style 'A' Operating Lever,  
 lever cost will be extra)



# **JAIBALAJI**

## **JB 2700**

### **HEAVY DUTY LIMIT SWITCHES**

#### **CATALOGUE CUM PRICE LIST**

With 2NO+2NC Contacts with Style 'A' Operating lever

**M.R.P. Rs.9315**

(Other than Style A Operating Lever cost will be extra)

- **MULTIPLE CONTACTS - DPDT (2 NO-2 NC),.**
- **GENEROUS OVERTRAVEL**
- **HEAVY DUTY CAM OPERATED**
- **FLEXIBILITY OF MOTION, CW AND CCW**
- **AMPLE WIRING SPACE**

#### **Description**

**WIDE RANGE OF OPERATION... MODULAR CONSTRUCTION... PRACTICAL FLEXIBILITY**

In every aspect these Limit Switches are the "ultimate" of the industry. The scope of Models are tailored to meet today's rugged requirements... there is a model of size and type of meet virtually all demands.

Besides covering all functional requirements this line is designed to meet practically every condition of installation. These Switches provide reliable "machine-life" service and have the stamina to operate under the unusual conditions... at the same time giving millions of consistently fast, accurate contacts.

Here are a few of the outstanding feature built into the switch for maximum performance.

- Generous overtravel and by-pass.  
Flexibility of motion, clockwise and counter-clockwise.
- Simplicity and interchangeability of cams.
- Light operating torque.
- Fast contact action.
- Form Z contact arrangement

MANUFACTURED BY :

**JAIBALAJI**  
**CONTROL GEARS PVT. LTD**

POST BOX NO. 27  
89, (NEW NO:107), SIDCO INDUSTRIAL ESTATE  
AMBATTUR, CHENNAI - 600 098.  
PHONE : 26251279, 26257859, 26254469  
FAX : 044-26255038.  
E-MAIL : dchandramohan@jaibalaji.firm.in